



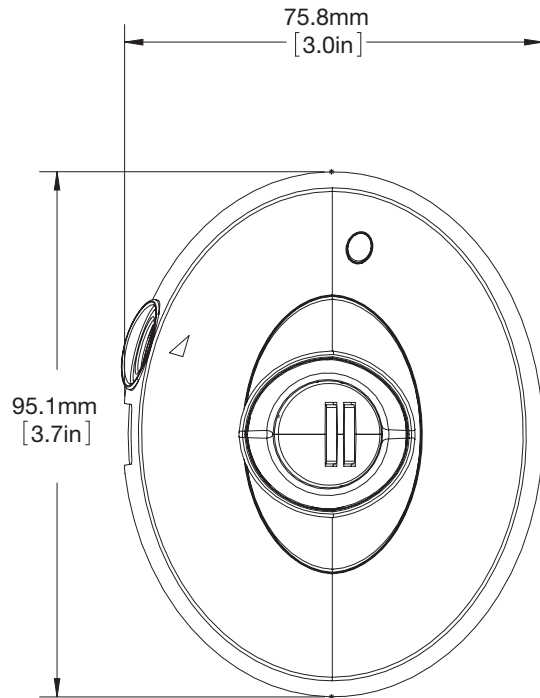
Series 940

Camera Stand & Puck

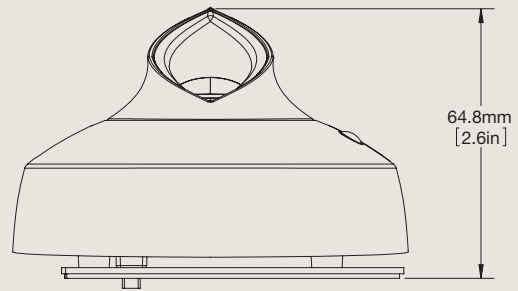
The new PODs Series 940... the easiest to use security system in the world

- Long stretch, long life, low maintenance cord
- Secure and power-up all cameras with one sensor
- Lock-in power connector
- Patented IR Technology allows store-specific key coding
- Independent alarming security for every display position

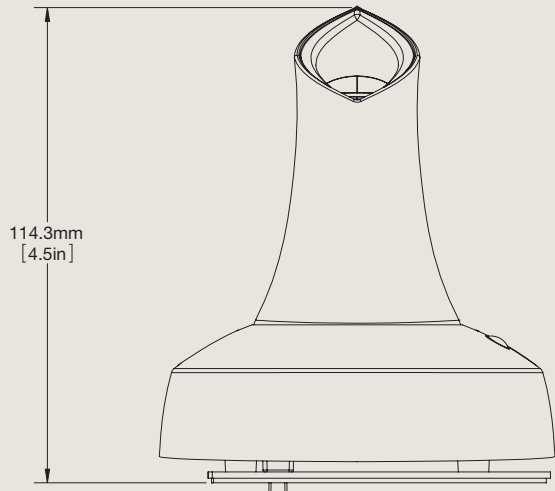




EC9100

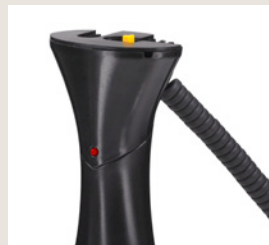


EC9101



Base dimensions for the EC9100 and EC9101 are the same

One regulator accommodates all power-up voltages



Series 940 Camera Stands & Pucks have a long stretch, long life, low maintenance cord.



CORPORATE OFFICE // North America// 704.752.6513// 888.55.INVUE
EUROPEAN OFFICE // The Netherlands // +31.23.8900150
ASIAN OFFICE // Singapore // +65.6766.4844

inVUE
 SECURITY PRODUCTS™

Power connector locks into the camera regulator for added security.



Large & small adapters are available to secure handheld merchandise.



product ordering

ORDER CODE	DESCRIPTION	EXTERNAL DIM. (L x W x H)	CARTON QTY.	CARTON WT.
EC9100-W EC9100-B	Camera Puck - White Camera Puck - Black	4.0" L x 3.5" W x 3.3" H (10.1cm L x 8.9cm W x 8.3cm H)	1	0.50 lbs (0.22 kg)
EC9101-W EC9101-B	Camera Stand - White Camera Stand - Black	5.0" L x 3.8" W x 5.7" H (12.6cm L x 9.7cm W x 11.8cm H)	1	0.55 lbs (0.24 kg)
EC9120-W EC9120-B	Camera Sensor Regulator - White Camera Sensor Regulator - Black	3.8" L x 3.4" W x 3.4" H (9.6cm L x 8.7cm W x 8.7cm H)	1	0.20 lbs (0.10 kg)
EC9121-W EC9121-B	DSLR Lens Sensor - White DSLR Lens Sensor - Black	5.0" L x 0.5" W x 0.5" H (12.8cm L x 1.4cm W x 1.4cm H)	1	0.10 lbs (0.04 kg)
EC9122-W EC9122-B	Small Adapter - White Small Adapter - Black	2.7" L x 2.3" W x 2.6" H (6.7cm L x 5.9cm W x 6.6cm H)	1	0.50 lbs (0.02 kg)
EC9129-W EC9129-B	Large Adapter - White Large Adapter - Black	4.3" L x 3.2" W x 1.4" H (10.8cm L x 8.2cm W x 3.6cm H)	1	0.10 lbs (0.04 kg)
EC9156	18 Volt Power Supply - US	3.3" L x 3.3" W x 2.0" H (8.3cm L x 8.3cm W x 5.0cm H)	1	0.40 lbs (0.18 kg)
EC9157	18 Volt Power Supply - EUR	3.3" L x 3.3" W x 2.0" H (8.3cm L x 8.3cm W x 5.0cm H)	1	0.40 lbs (0.18 kg)
EC9158	18 Volt Power Supply - UK	3.3" L x 3.3" W x 2.0" H (8.3cm L x 8.3cm W x 5.0cm H)	1	0.40 lbs (0.18 kg)
EC9159	18 Volt Power Supply - AUS	3.3" L x 3.3" W x 2.0" H (8.3cm L x 8.3cm W x 5.0cm H)	1	0.40 lbs (0.18 kg)
EC9145	Lens Sensor Replacement Adhesive - Black	8.0" L x 4.5" W x 0.3" H (20.3cm L x 11.4cm W x 0.6cm H)	20	0.10 lbs (0.06 kg)
EC9146	Small Adapter Replacement Adhesive - Black	8.0" L x 4.5" W x 0.3" H (20.3cm L x 11.4cm W x 0.6cm H)	20	0.20 lbs (0.10 kg)
EC9148	Large Adapter Replacement Adhesive - Black	8.0" L x 4.5" W x 0.3" H (20.3cm L x 11.4cm W x 0.6cm H)	20	0.20 lbs (0.10 kg)
EC9149	Replacement Adhesive for Stand & Puck Base - Black	5.1" L x 8.3" W x 0.1" H (13.0cm L x 21.1cm W x 0.3cm H)	8	0.12 lbs (0.05 kg)

Items required to create a powered display:

① Display Stand (listed above); ② Sensor; ③ Power Connector; ④ Standardized Power Supply

For additional information, please contact your local InVue sales representative, or consult the InVue Secure Displays Product Catalog, available online at invuesecurity.com/podscatalog.

CORPORATE OFFICE // North America// 704.752.6513// 888.55.INVUE

EUROPEAN OFFICE // The Netherlands // +31.23.8900150

ASIAN OFFICE // Singapore // +65.6766.4844

inVUE
SECURITY PRODUCTS™

©2011 InVue Security Products. No endorsement of InVue products has been made by any of the manufacturers of the products shown. Product is sold pursuant to InVue's warranty which can be found at www.invuesecurity.com/english/warranty.html

invuesecurity.com
©2011 InVue Security Products